

4

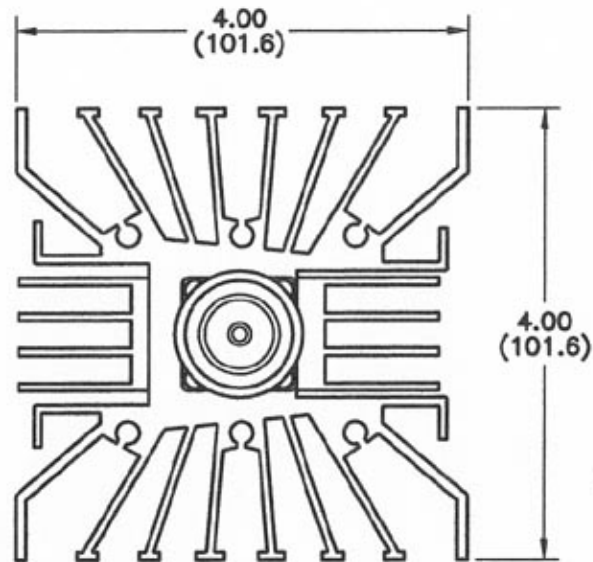
3

2

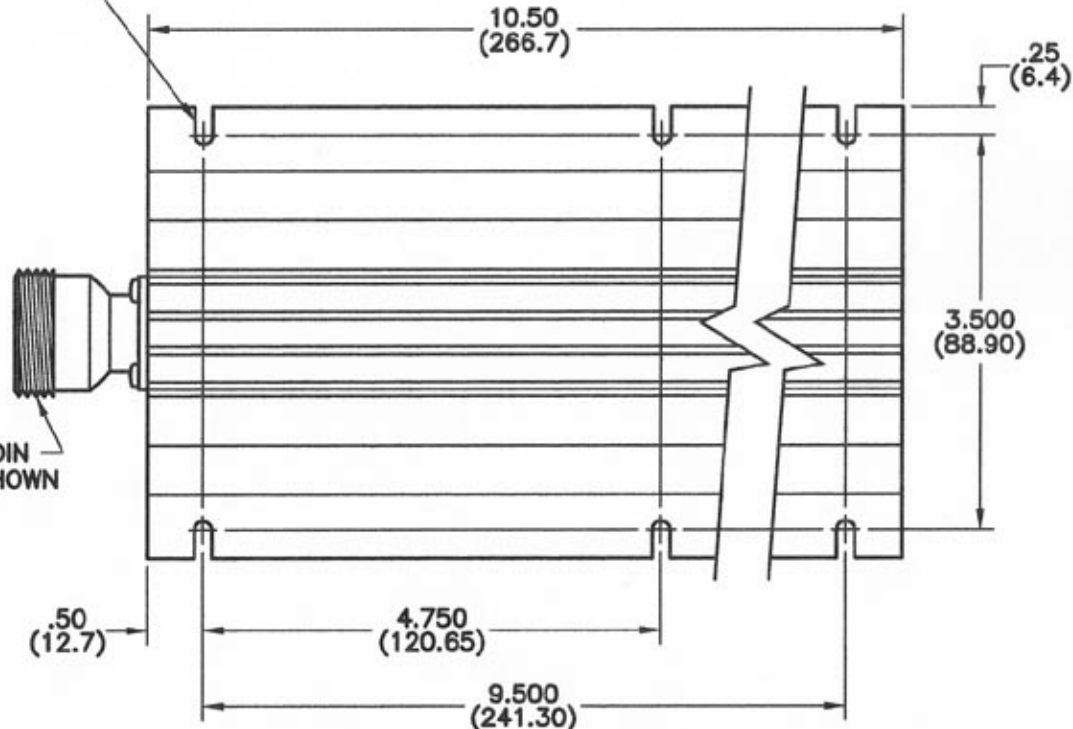
1

REVISIONS				
REV	ZONE	DESCRIPTION	DATE	BY ECO

.156(3.96) WIDE SLOT  
6 PLACES, TOP & BOTTOM



7/16 DIN  
JACK SHOWN



### SPECIFICATIONS

FREQUENCY RANGE - DC TO 3.0 GHz

IMPEDANCE - 50 OHMS

VSWR (1.0 GHz) - 1.15:1

(2.4 GHz) - 1.20:1

(3.0 GHz) - 1.28:1

INPUT POWER (AVG.) - 250 WATTS

(PEAK) - 2000 WATTS

OPERATING TEMPERATURE - -55°C TO +125°C

CONNECTOR TYPES - 7/16 DIN, PLUG OR JACK

WEIGHT - ~ 6.5 lbs

DIMENSIONS: INCHES  
(MILLIMETERS)

#### TOLERANCES

DEC.XX ± .05 FRAC ±

.XXX ± .010 ANG ±

MATERIAL

FINISH

CHK

APPD

APPD

THE INFORMATION CONTAINED IN THIS DOCUMENT IS THE PROPERTY OF MICROWAVE DEVICES, INC. AND IS PROPRIETARY. IT IS NOT TO BE COPIED OR USED FOR ANY PURPOSE OTHER THAN AS INSTRUCTED, IN WRITING, BY MICROWAVE DEVICES, INC.

SIGNATURES DATE

DR G.V.Cothren 3-22-07

CHK

APPD

APPD

**MICROWAVE DEVICES**  
RF and Microwave Components

MODEL 6250, 7/16 DIN  
TERMINATION, 250 WATT

CAGE SIZE DRAWING NO.  
60674 B 900004-2

DRAWING SCALE 1:1 SHEET 1 OF 1

CONTACT: MICROWAVE DEVICES - 1150 N. GRAHAM RD.  
(317) 736-8833 FRANKLIN, IN 46131

DIMENSIONS ARE IN INCHES UNLESS OTHERWISE SPECIFIED.

4

3

2

1